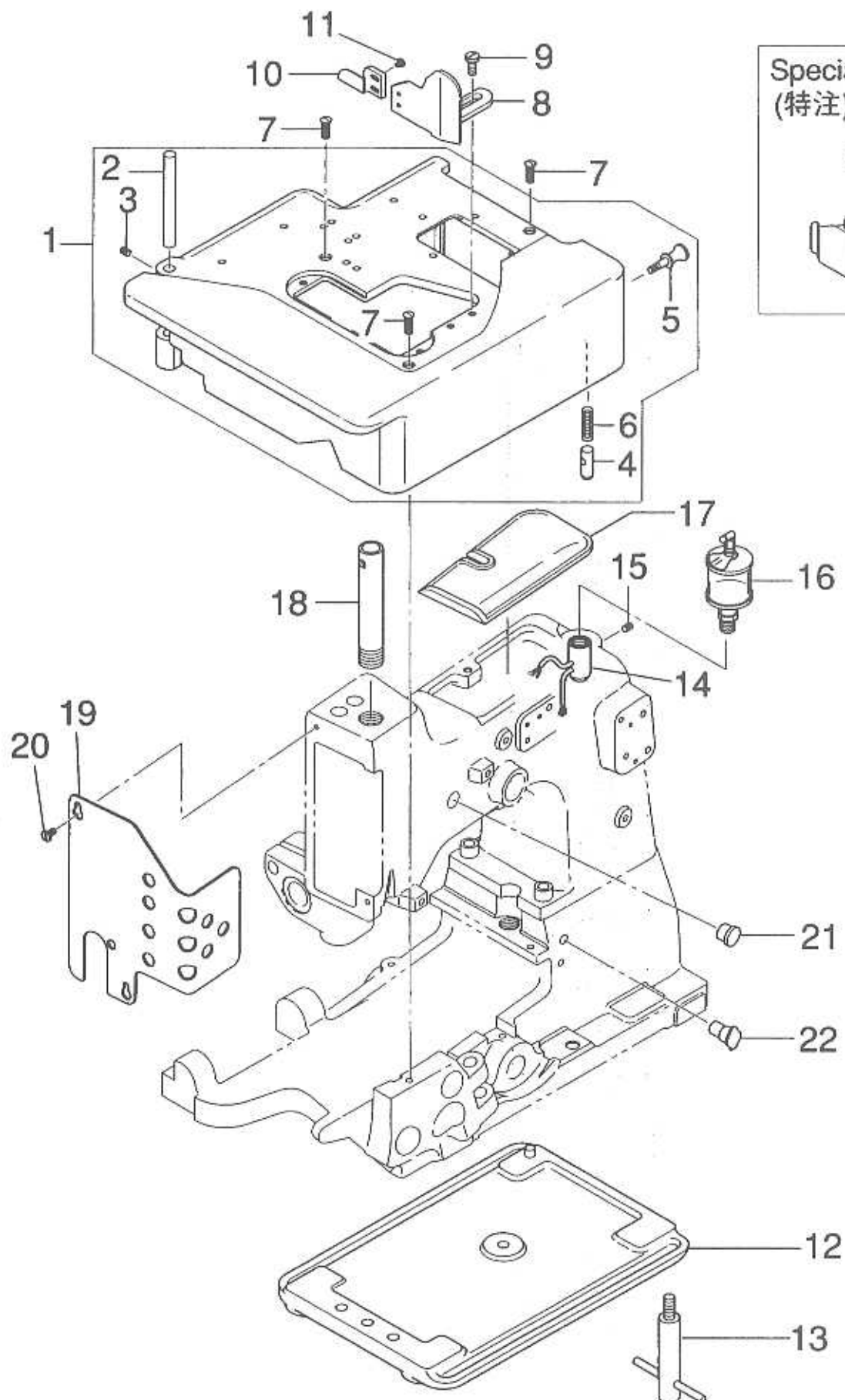


01. OILER AND COVERS PARTS

オイルラー、カバー関係



Special Order
(特注)

23



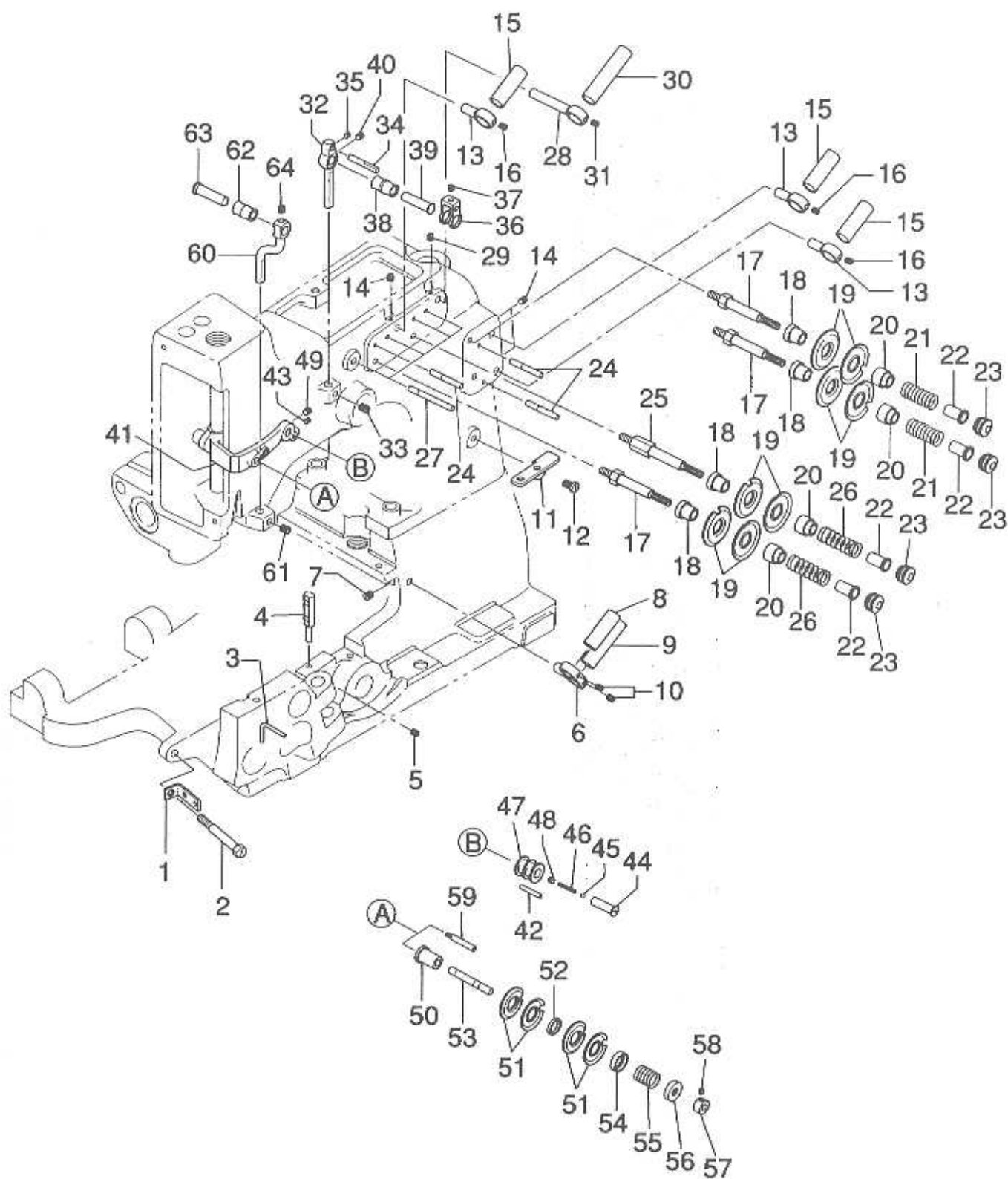
01. OILER AND COVERS PARTS

オイルー、カバー関係

図番 Ref. No.	部品番号 Part No.	部 品 名 称 Description	個数 Q'ty	摘 要 Remarks
1	795011A	Base Cover Ass'y	1	(2-6)
2	80437A	Base Cover Pin	1	
3	89	Screw	1	
4	81239	Guide	1	
5	80440	Screw	1	
6	80438	Spring	1	
7	22574	Screw for 795011A	3	
8	795031	Edge Guide	1	
9	22514	Screw for 795031	2	
10	795361	Stitch Tongue	1	
11	22513	Screw for 795361	2	
12	80280A	Base Plate	1	
13	21681B	"T" Bolt	2	
14	80293A	Oil Distributor	1	
15	96A	Screw for 80293A	1	
16	666-79	Sight Feed Oiler	1	
17	80688	Top Cover	1	
18	795301	Guard for Needle Bar	1	
19	795291	Face Cover	1	
20	376	Screw for 795291	2	
21	255351	Rubber Bushing	1	
22	80690A	Oil Cup	1	
23	795041	Stitch Tongue	(1)	Special Order (特注)

02. THREAD TENSION AND THREAD GUIDE PARTS

糸調子、糸ガイド関係

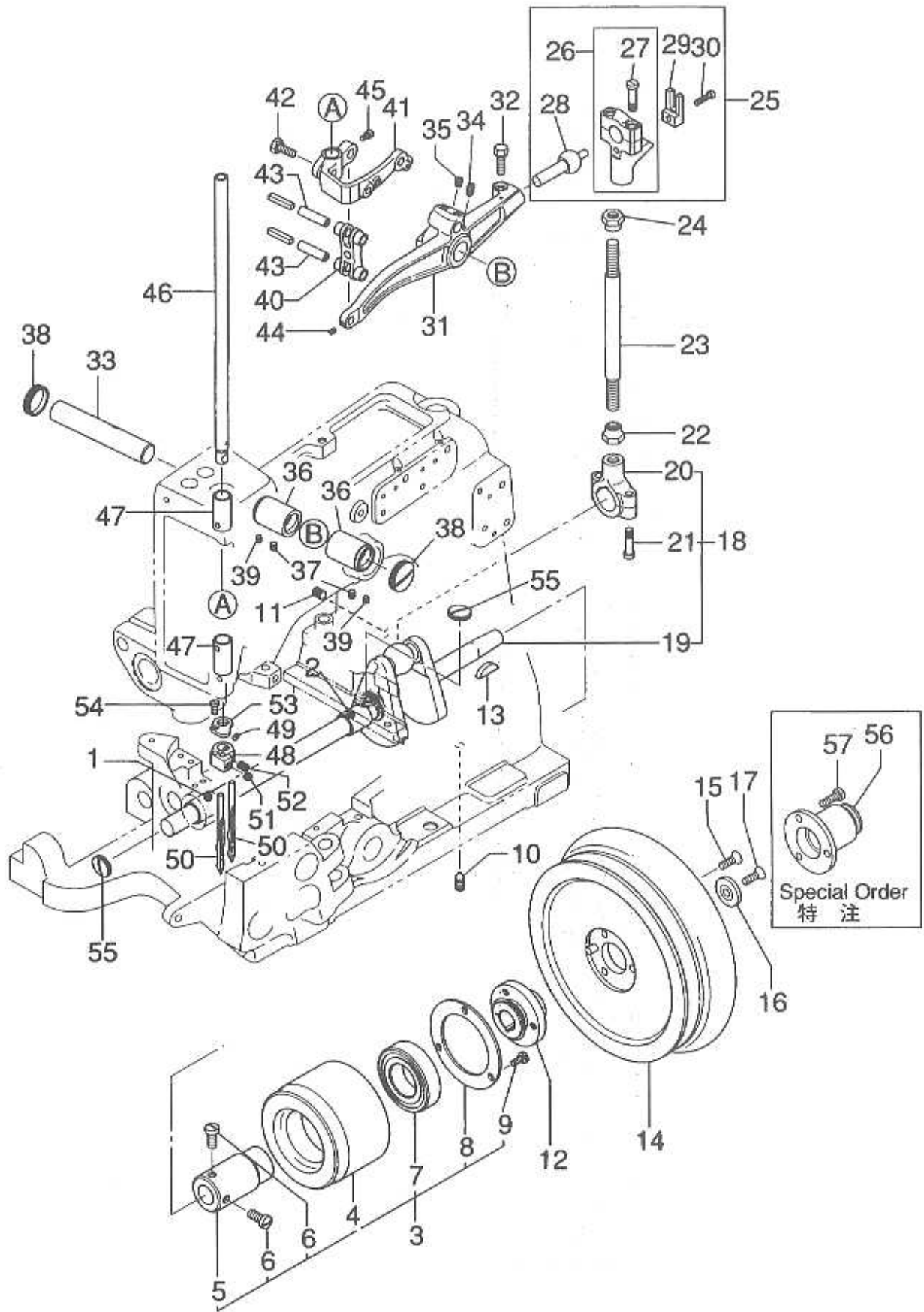


02. THREAD TENSION AND THREAD GUIDE PARTS

糸調子、糸ガイド関係

図番 Ref. No.	部品番号 Part No.	部品名称 Description	個数 Q'ty	摘要 Remarks
1	795281	Thread Guide	1	
2	795271	Stud	1	
3	795261	Thread Guide	1	
4	795251	Looper Thread Guide	1	
5	88	Screw for 795251	1	
6	795241	Thread Guide Holder	1	
7	95	Screw for 795241	1	
8	81256	Thread Sleeve	1	
9	795201	Thread Sleeve	1	
10	28C	Screw for 81256,795201	2	
11	795231	Thread Guide	1	
12	22839C	Screw for 795231	1	
13	AS137	Support	3	
14	88	Screw for AS137	3	
15	81256	Thread Sleeve	3	
16	28C	Screw for 81256	3	
17	HS106	Tension Post	3	
18	795111	Tension Post Ferrule	4	
19	80676A	Tension Disc	8	
20	HA1349	Tension Sleeve	4	
21	110-2	Tension Spring	2	
22	107	Tension Spring Ferrule	4	
23	108	Tension Nut	4	
24	80667	Tension Disc Stop Pin	3	
25	795051	Tension Post	1	
26	795321	Tension Spring	2	
27	795061	Tension Disc Stop Pin	4	
28	795191	Thread Guide Holder	1	
29	88	Screw for 795191	1	
30	81256	Thread Sleeve	1	
31	28C	Screw for 81256	1	
32	80250A	Thread Guide Holder	1	
33	95	Screw for 80250A	1	
34	795101	Thread Guide Pin	1	
35	22743	Screw for 795101	1	
36	795081	Thread Guide Fork	1	
37	22565C	Screw for 795081	1	
38	795092	Thread Guide Roller	1	
39	795071	Roller Stud	1	
40	88	Screw for 795071	1	
41	792031	Needle Bar Connection	1	
42	80655	Thread Guide Pin	1	
43	22743	Screw for 80655	1	
44	81086C	Thread Guide Roller Stud	1	
45	12964C	Ball	1	
46	HA1286B	Spring	1	
47	795121	Thread Guide Roller	1	
48	22560	Screw	1	
49	88	Screw for 81086C	1	
50	795141	Tension Post Ferrule	1	
51	80676	Tension Disc	4	
52	795151	Spacer Ring	1	
53	795131	Tension Post	1	
54	HA58C	Thread Tension Ferrule	1	
55	HA58F	Tension Spring	1	
56	HA58D	Thread Tension Ferrule	1	
57	21111	Collar	1	
58	88	Screw for 21111	1	
59	795161	Tension Disc Stop Pin	1	
60	795171	Thread Guide Holder	1	
61	95	Screw for 795171	1	
62	795092	Thread Guide Roller	1	
63	795071	Roller Stud	1	
64	88	Screw for 795071	1	

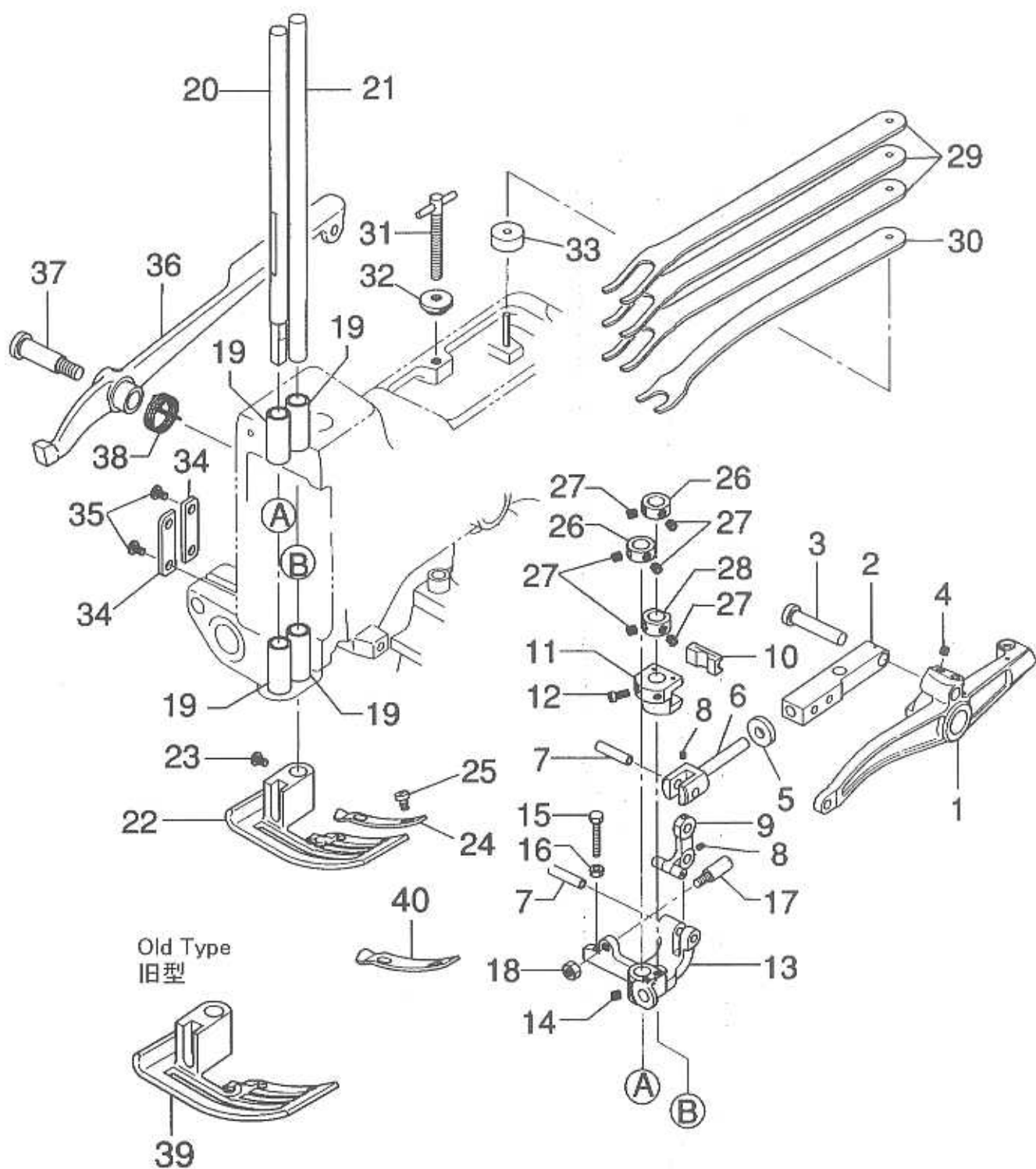
03. PULLEY, MAIN SHAFT AND NEEDLE BAR PARTS
 プーリー、主軸、針棒関係



03. PULLEY, MAIN SHAFT AND NEEDLE BAR PARTS プーリー, 主軸, 針棒関係

図番 Ref. No.	部品番号 Part No.	部品名称 Description	個数 Q'ty	摘要 Remarks
1	80694	Bushing for Main Shaft	1	
2	791071	Crank Shaft Bushing,middle	1	
3	791041A	Crank Shaft Bushing Ass'y, rear	1	(4-9)
4	791041	Crank Shaft Bushing, rear	1	
5	791051	Hub	1	
6	22891	Screw for 791051	2	
7	1A01026	Ball Bearing	1	
8	791061	Retaining Ring	1	
9	22528	Screw for 791061	3	
10	HA81	Screw for 791041A	1	
11	HA95	Screw for 791041A	1	
12	791101	Pulley Hub	1	
13	HA66K	Key	1	
14	791081	Pulley	1	
15	80	Screw for 791081	3	
16	80674	Lock Washer	1	
17	80	Screw for 80674	1	
18	791031A	Crank Shaft Ass'y	1	(19-21)
19	791031	Crank Shaft	1	
20	80652	Ball Joint for Crank Shaft	1	(21)
21	22587	Screw for 80652	2	
22	15430D	Nut	1	
23	80630	Needle Lever Connecting Rod	1	
24	15430C	Nut (left thread)	1	
25	29066L	Needle Lever Ball Joint Ass'y	1	(26-30)
26	80650	Ball Joint for Needle Lever	1	(27)
27	22587	Screw for 80650	2	
28	80656	Ball Stud	1	
29	80636A	Guide Fork	1	
30	22729	Screw for 80636A	1	
31	792011	Needle Lever	1	
32	BP108	Screw for 792011	1	
33	80643	Needle Lever Shaft	1	
34	22894H	Screw for 792011	1	
35	22894J	Screw for 792011	1	
36	80246	Bushing for Needle Lever Shaft	2	
37	89	Screw for 80246	2	
38	80644	Plug Screw	2	
39	88	Screw for 80644	2	
40	HA54A	Needle Bar Connecting Link	1	
41	792031	Needle Bar Connection	1	
42	BP108	Screw for 792031	1	
43	51134V	Link Pin	2	
44	22565C	Screw for 51134V	1	
45	91	Screw for 51134V	1	
46	792041	Needle Bar	1	
47	792071	Needle Bar Bushing	2	
48	792051	Needle Holder	1	
49	88B	Screw for 792051	1	
50	B25001	Needle (UY9853G #430)	2	
51	22580D	Screw for B25001	1	
52	95	Screw for B25001	1	
53	792061	Needle Stop Plate	1	
54	77K	Screw for 792061	1	
55	22539	Screw	2	
56	791091	Adapter for Needle Position	(1)	Special Order
57	136	Screw for 791091	(3)	(特注)

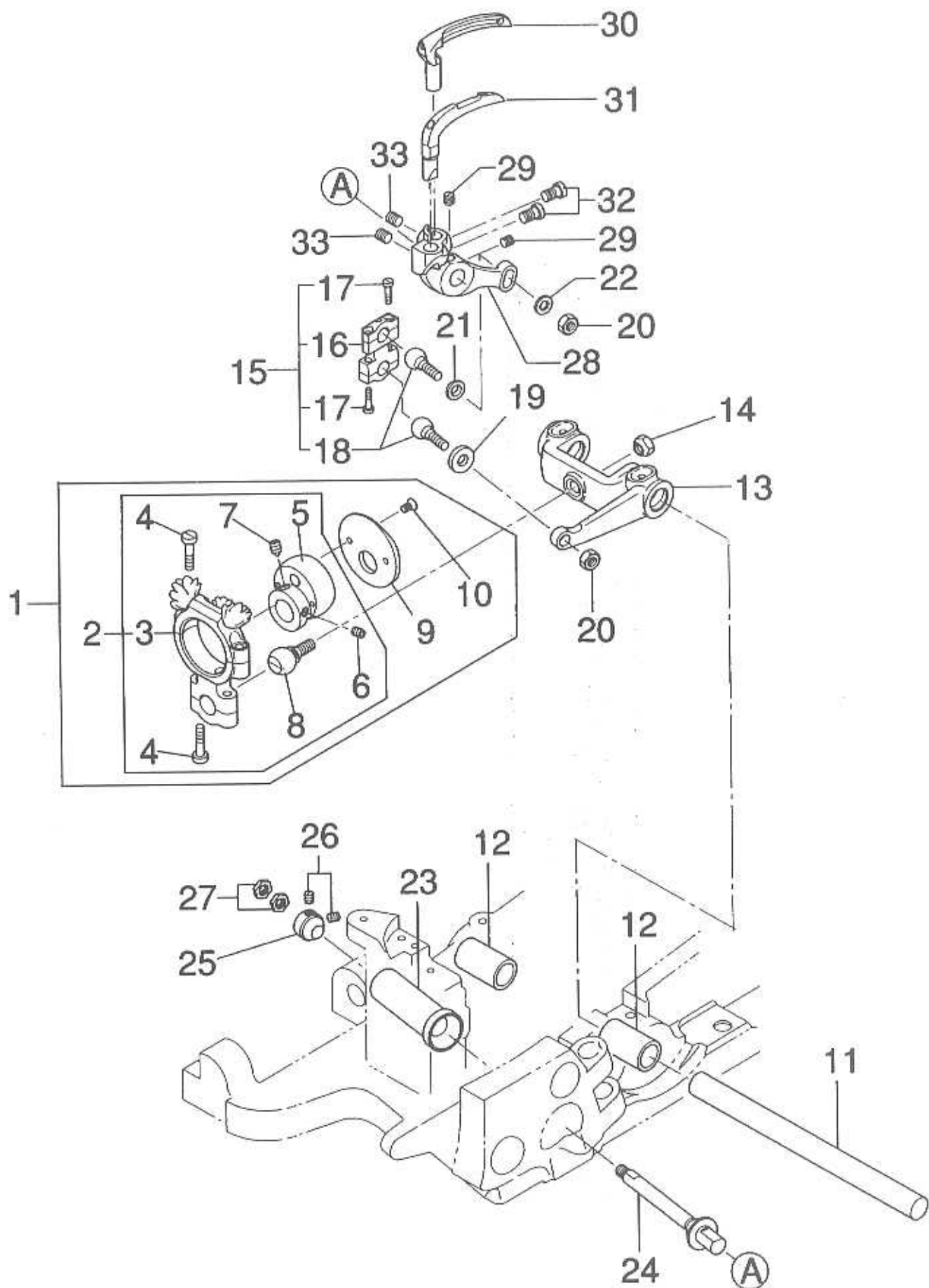
04 PRESSER FOOT AND PRESSER FOOT LIFTER PARTS
 押工金関係，押工揚げ関係



04 PRESSER FOOT AND PRESSER FOOT LIFTER PARTS
 押工金関係, 押工揚ゲ関係

図番 Ref. No.	部品番号 Part No.	部品名称 Description	個数 Qty	摘要 Remarks
1	792011	Needle Bar Lever	1	
2	792081	Guide	1	
3	792091	Guide Pin	1	
4	22894C	Screw for 792091	2	
5	792111	Washer, leather	1	
6	792101	Link	1	
7	51134V	Link Pin	1	
8	22894Y	Screw for 51134V	2	
9	792121	Lift Lever	1	
10	792131	Sliding Block	1	
11	792141	Supporting Yoke	1	
12	22569C	Screw for 792141	2	
13	792151	Guide Link	1	
14	22894C	Screw for 792151	2	
15	22707	Screw	1	
16	907	Nut	1	
17	22870	Screw	1	
18	258A	Nut	1	
19	792211	Presser Bar Bushing	4	
20	792161	Presser Bar, left	1	
21	792171	Presser Bar, right	1	
22	792182	Presser Foot (Filler cord)	1	
23	22570A	Screw for 792182	2	
24	792191	Presser Foot Tongue (12mm width)	1	
25	94	Screw for 792191	2	
26	482C	Collar	2	
27	98	Screw for 482C,792201	6	
28	792201	Collar	1	
29	80663	Presser Foot Spring, upper	3	
30	80664	Presser Foot Spring, lower	1	
31	64Y	Screw	1	
32	35733B	Lock Nut	1	
33	792221	Spring Rest	1	
34	80631	Guide Plate	2	
35	376	Screw for 80631	4	
36	80648	Presser Foot Lifter Lever	1	
37	420	Screw	1	
38	80649	Spring	1	
39	792181	Presser Foot	(1)	Special Order
40	792192	Presser Foot Tongue (15mm width)	(1)	(特注)

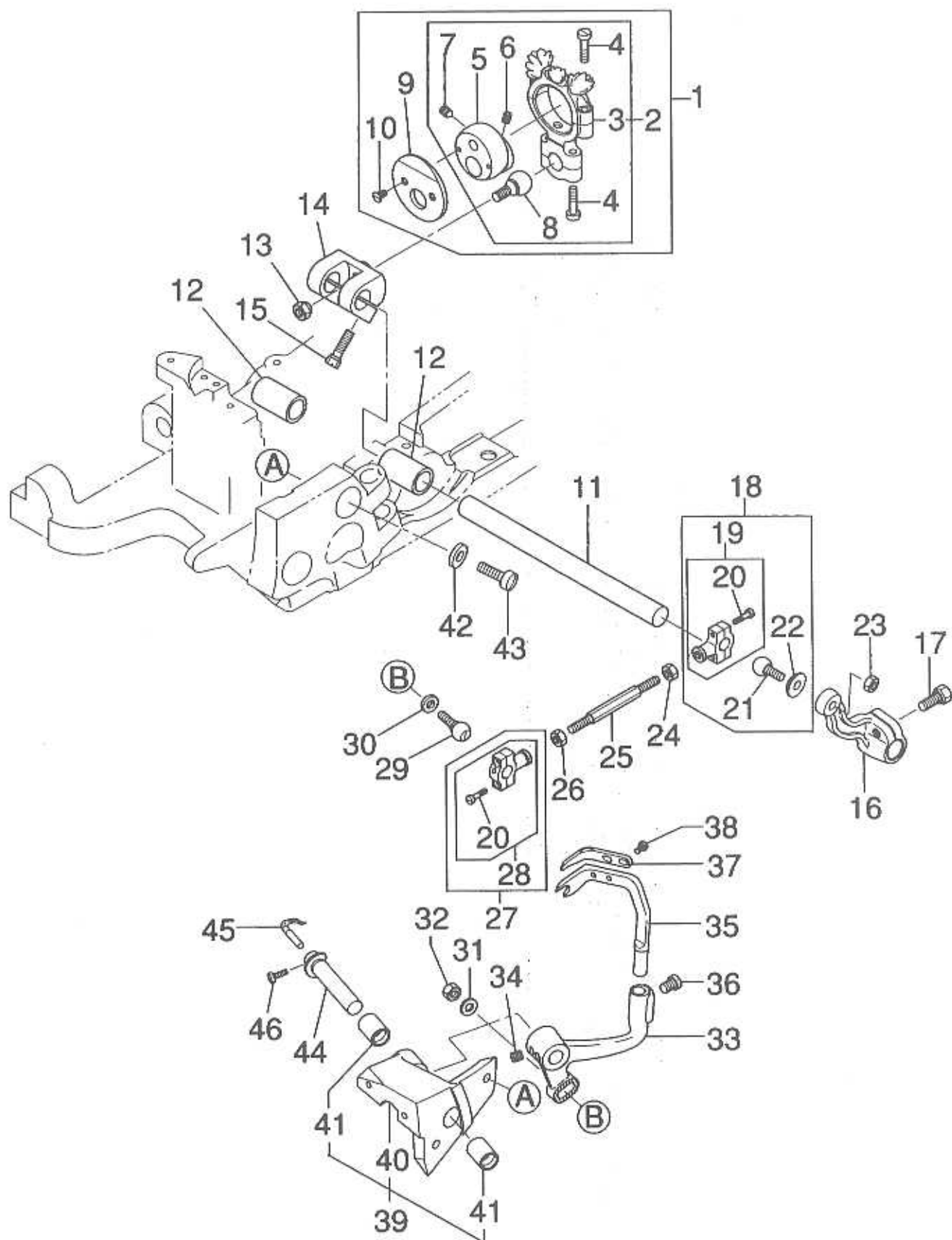
05. LOOPER DRIVE PARTS
ルーパー関係



05. LOOPER DRIVE PARTS
ルーパー関係

図番 Ref. No.	部品番号 Part No.	部品名称 Description	個数 Q'ty	摘要 Remarks
1	793011AA	Eccentric Ass'y	1	(2-10)
2	793011A	Eccentric Ass'y	1	(3-8)
3	793011	Connection	1	(4)
4	88F	Screw for 793011	4	
5	793021	Eccentric	1	
6	22894C	Screw for 793021	1	
7	22894D	Screw for 793021	1	
8	793041	Ball	1	
9	793031	Guide Disc	1	
10	22524	Screw	2	
11	81240	Looper Drive Lever Rocker Shaft	1	
12	81240A	Bushing for Looper Rocker Shaft	2	
13	793181	Drive Lever for Looper	1	
14	80691	Conical Nut	1	
15	793191A	Ball Joint Ass'y	1	(16-18)
16	793191	Ball Joint	1	(17)
17	97A	Screw for 793191	4	
18	793101	Ball	2	
19	793201	Washer	1	
20	18	Nut	2	
21	793121	Locking Disc	1	
22	20	Washer	1	
23	81261	Bushing for Cone Shaft	1	
24	81260	Cone stud	1	
25	15465F	Cone	1	
26	88	Screw for 15465F	2	
27	12987A	Nut	2	
28	793211	Looper Drive	1	
29	98	Screw for 793211	2	
30	793221	Looper, lower for overedge stitch	1	
31	793231	Looper for double chain stitch	1	
32	99240	Screw for 793221, 793231	2	
33	74E	Screw for 793221, 793231	2	

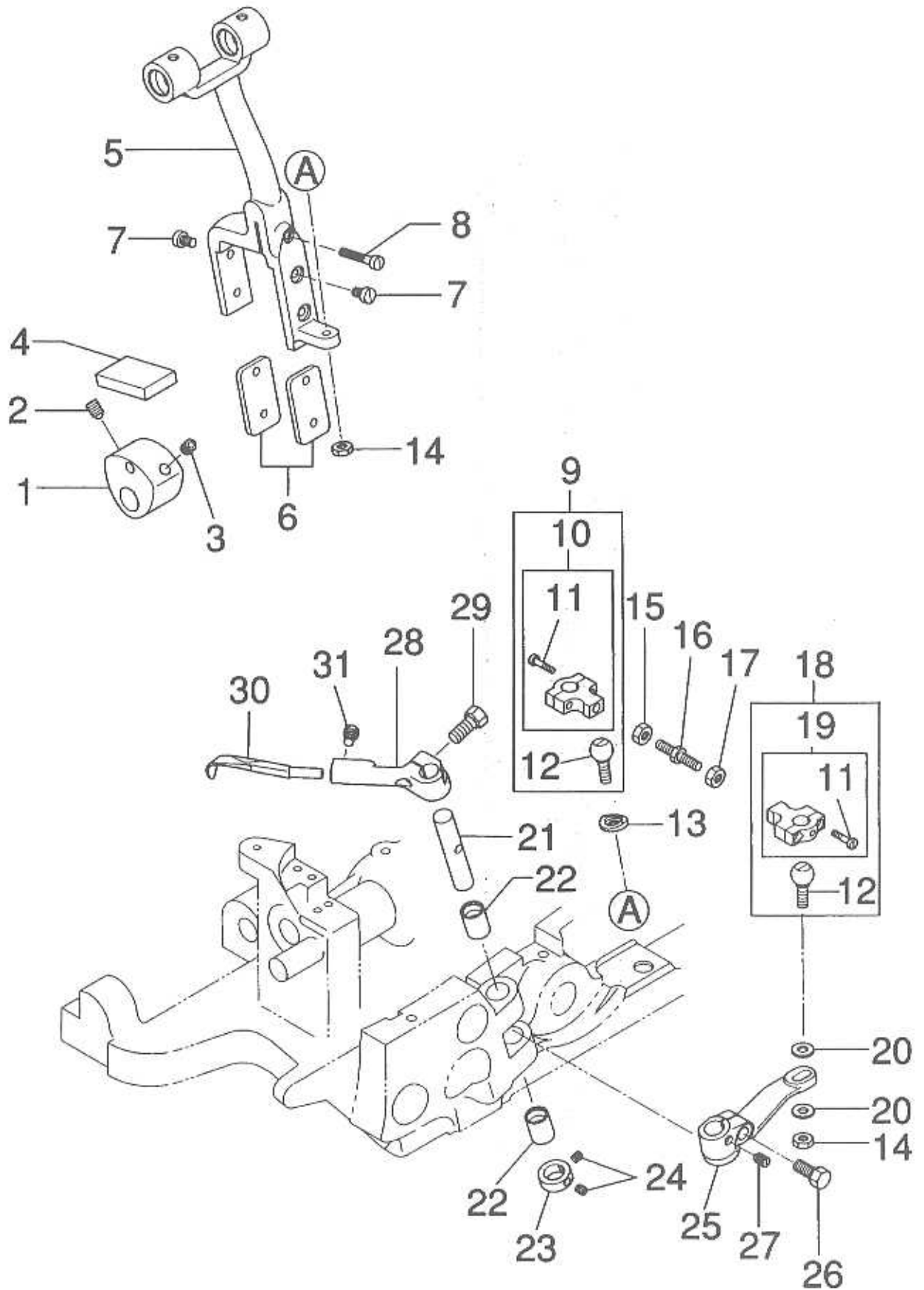
06. SPREADER DRIVE PARTS
 スプレッダー関係



06. SPREADER DRIVE PARTS
スプレッダー関係

図番 Ref. No.	部品番号 Part No.	部品名称 Description	個数 Qty	摘要 Remarks
1	793011AA	Eccentric Ass'y	1	(2-10)
2	793011A	Eccentric Ass'y	1	(3-8)
3	793011	Connection	1	(4)
4	88F	Screw for 793011	4	
5	793021	Eccentric	1	
6	22894C	Screw for 793021	1	
7	22894D	Screw for 793021	1	
8	793041	Ball	1	
9	793031	Guide Disc	1	
10	22524	Screw	2	
11	81240	Looper Drive Lever Rocker Shaft	1	
12	81240A	Bushing for Looper Rocker Shaft	2	
13	80691	Conical Nut	1	
14	793051	Rocker Lever	1	
15	74A	Screw for 793051	2	
16	793061	Drive Lever for upper spreader	1	
17	BP108	Screw for 793061	1	
18	793071A	Ball Joint Ass'y	1	(19-21)
19	793071	Ball Joint	1	(20)
20	97A	Screw for 793071, 793091	4	
21	793081	Ball	1	
22	HS36K	Washer	1	
23	12538	Nut	1	
24	18	Nut	1	
25	753111	Ball Joint Rod	1	
26	269	Nut (left thread)	1	
27	793091A	Ball Joint Ass'y	1	(20,28,29)
28	793091	Ball Joint	1	(20)
29	793101	Ball	1	
30	793121	Locking Disc	1	
31	20	Washer	1	
32	18	Nut	1	
33	793111	Spreader Lever	1	
34	98	Screw for 793111	2	
35	793151	Spreader	1	
36	99240	Screw for 793151	2	
37	793161	Thread Hook	1	
38	22KH	Screw for 793161	2	
39	793131A	Bearing Ass'y	1	(40,41)
40	793131	Bearing for spreader lever shaft	1	
41	793141	Bushing	2	
42	81257	Washer for 793131A	2	
43	318	Screw for 793131A	2	
44	793241	Spreader Lever Shaft	1	
45	793171	Thread Retainer	1	
46	90	Screw for 793171	2	

07. CROSS LOOPER DRIVE PARTS
糸捌き関係

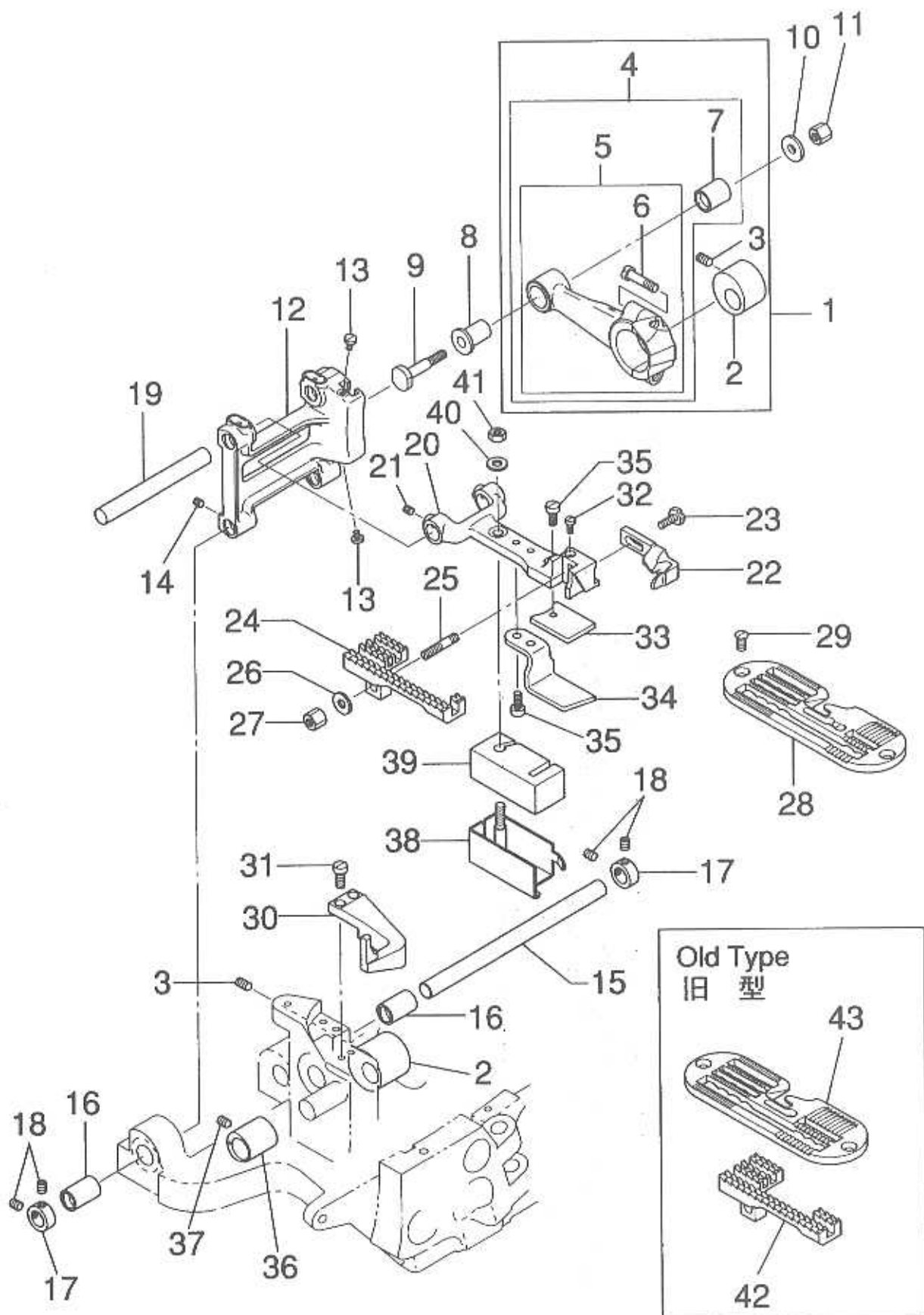


07. CROSS LOOPER DRIVE PARTS

糸捌キ関係

図番 Ref. No.	部品番号 Part No.	部品名称 Description	割数 Q'ty	摘要 Remarks
1	793251	Drive Eccentric for cross Looper	1	
2	22894H	Screw for 793251	1	
3	22894C	Screw for 793251	1	
4	795351	Felt	1	
5	793261	Drive Fork for cross Looper	1	
6	793271	Guide Plate	2	
7	94	Screw for 793021	4	
8	85	Screw	1	
9	793281A	Ball Joint Ass'y	1	(10-12)
10	793281	Ball Joint	1	(11)
11	97A	Screw for 793281	4	
12	11354	Ball	2	
13	793291	Washer	1	
14	9937	Nut	1	
15	18	Nut	1	
16	793301	Ball Joint Rod	1	
17	269	Nut (left thread)	2	
18	79-6040A	Ball Joint Ass'y	1	(11,12,19)
19	6040A	Ball Joint	1	(11)
20	69H	Washer	2	
21	793331	Shaft	1	
22	793141	Bushing	2	
23	482C	Collar	1	
24	22894C	Screw for 482C	2	
25	793311	Drive Lever for cross looper	1	
26	BP108	Screw for 793311	1	
27	96	Screw for 793311	1	
28	793321	Cross Looper Lever	1	
29	BP108	Screw for 793321	1	
30	793341	Cross Looper	1	
31	22824	Screw for 793331	2	

08. LOWER FEED DRIVE PARTS
下送り、針板関係

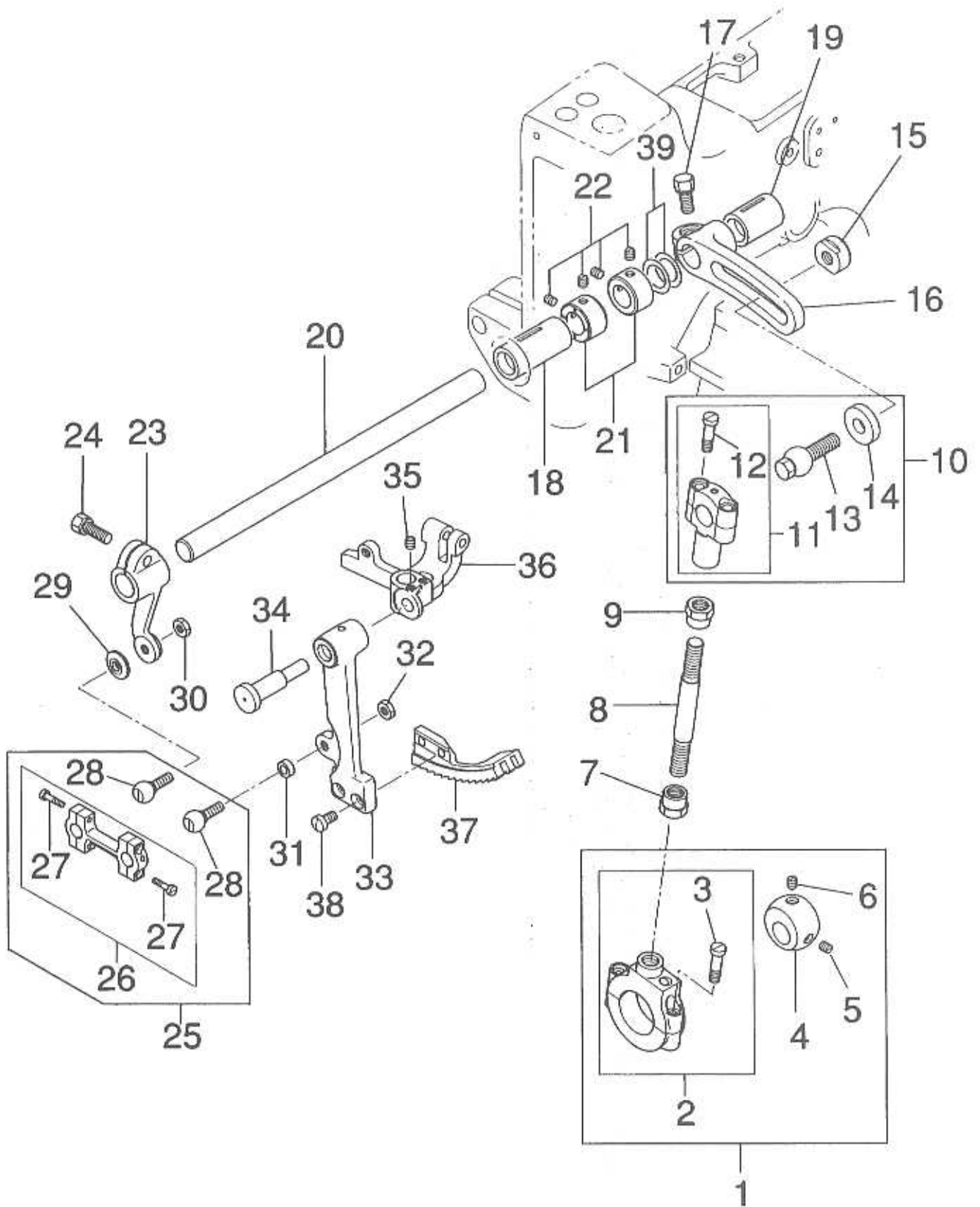


08. LOWER FEED DRIVE PARTS

下送り, 針板関係

図番 Ref. No.	部品番号 Part No.	部品名称 Description		個数 Q'ty	摘要 Remarks
1	794021AA	Feed Rocker Connection Ass'y	送りロッド組	1	(2-7)
2	794011	Feed Rocker Eccentric	送りエキセンカム	1	
3	22894L	Screw for 794011	ネジ	2	
4	794021A	Feed Rocker Connection Ass'y	送りロッド組	1	(5-7)
5	794021	Feed Rocker Connection	送りロッド	1	(6)
6	22587	Screw for 794021	ネジ	2	
7	794031	Bushing	送りロッドブッシュ	1	
8	80654	Stud Bushing	送り調節軸スリーブ	1	
9	80696	Stitch Regulating Stud	送り調節軸	1	
10	HA20A	Washer	座金	1	
11	HA18A	Nut	ナット	1	
12	80233	Feed Rocker	送り元土台	1	
13	T26	Screw	ネジ	2	
14	89	Screw for 80233	ネジ	2	
15	8A	Feed Rocker Shaft	送り元土台シャフト	1	
16	80292	Bushing for Feed Rocker Shaft	送り元土台ブッシュ	2	
17	482C	Collar	カラー	2	
18	22894C	Screw for 482C	ネジ	4	
19	11	Feed Bar Shaft	送り土台ピン	1	
20	794041	Feed Bar	送り土台	1	
21	88	Screw for 794041	ネジ	2	
22	794061	Needle Guard	針ガード	1	
23	22567	Screw for 794061	ネジ	1	
24	794072	Feed Dog	送り金	1	
25	99241	Screw for 794072	ネジ	2	
26	2W5S	Washer	座金	1	
27	HA18A	Nut	ナット	1	
28	794271	Throat Plate (Filler Cord)	針板 (当糸用)	1	
29	78057	Screw for 794271	ネジ	2	
30	794091	Needle Guard	針ガード	1	
31	22517	Screw for 794091	ネジ	2	
32	97X	Screw	ネジ	1	
33	HA23D	Feed Bar Shoe	当板上	1	
34	794051	Feed Bar Prong	当板下	1	
35	93A	Screw	ネジ	3	
36	HA43X	Feed Lift Eccentric	送り上下カム	1	
37	22894D	Screw for HA43X	ネジ	1	
38	AS70A	Holder for Felt	給油綿支エ	1	
39	HS70A	Felt	給油	1	
40	20	Washer	座金	1	
41	18	Nut	ナット	1	
42	794071	Feed Dog (Plain)	送り金	(1)] Old Type (旧型)
43	794081	Throat Plate (Plain)	針板	(1)	

09. UPPER FEED DRIVE PARTS
 上送り関係



09. UPPER FEED DRIVE PARTS

上送り関係

図番 Ref. No.	部品番号 Part No.	部品名称 Description	個数 Q'ty	摘要 Remarks
1	794111A	Drive Eccentric Ass'y	1	(2-6)
2	794111	Ball Joint for upper feed,lower	1	(3)
3	22587	Screw for 794111	2	
4	794101	Eccentric Cam	1	
5	22894L	Screw for 794101	1	
6	22894C	Screw for 794101	1	
7	80630D	Nut	1	
8	794121	Connecting Rod	1	
9	80630C	Nut (left thread)	1	
10	794141A	Ball Link	1	(11-13)
11	794141	Ball Joint for upper feed	1	(12)
12	22587	Screw for 794141	2	
13	794131	Ball Stud	1	
14	794171	Washer	1	
15	794161	Nut	1	
16	794151	Rocker Lever	1	
17	BP108	Screw for 794151	1	
18	794191	Rocker Lever Bushing	1	
19	791071	Crank Shaft Bushing, middle	1	
20	794181	Rocker Lever Shaft	1	
21	51147	Crank Shaft Collar	2	
22	95	Screw for 51147	4	
23	794211	Drive Lever	2	
24	BP108	Screw for 794211	1	
25	794221A	Ball Joint Ass'y	1	(26-28)
26	794221	Ball Joint	1	(27)
27	97A	Screw for 794221	4	
28	36E	Ball	2	
29	HS36K	Washer	1	
30	18	Nut	1	
31	794261	Collar	1	
32	12538	Nut	1	
33	794231	Feed Lever	1	
34	794241	Feed Lever Pin	1	
35	22894C	Screw	2	
36	792151	Guide Link	1	
37	794251	Feed Dog, upper	1	
38	22839C	Screw for 794251	2	
39	794201	Washer	2	

DHR-6**SCREW, NUT & WASHER (ネジ、ナット、ワッシャー) FULL SIZE (原寸)**